

OMEGA Allpro

7 Stacker

- Dual lead-in carriers with adjustable nose rolls to help stack irregular shaped cartons
- Pneumatic, integrated compression stacker
- 1,1 KW AC compression stacker drive motor
- Independent speed adjustment in accordance with the carton flow
- Automatic guiding and lateral correction for upper and lower aprons
- Adjustable pressure belt on stacker apron
- Mounted on adjustable wheels
- Optional rear box squaring system on 130 – 145 - 165
- Optional pneumatic and PLC controlled dual lead in carriers for additional control over corrugated auto bottom boxes.

5 Final Fold Section

- Long final fold to provide easy box flowing
- Drop in center carrier in final fold
- Independent speed adjustment for folding belts
- Chromium plated and sliding folding rollers with different angles which can be adjusted at four different positions
- Sliding end rolls on both sides of the machine for 4 corner boxes with lid and special carton styles on 110, 130, 145 and 165
- Easily adjustable lower left hand glue pot with 226 mm Ø wheel
- 2 standard changeable brass glue disks available from 2,5 to 13 mm
- Polyamide guides
- Two different sized multi positioned swords
- Pneumatic squaring system for micro flute auto bottom boxes on 110, 130, 145 and 165
- Optional center carrier with sleeping position providing easier set up for small sized boxes

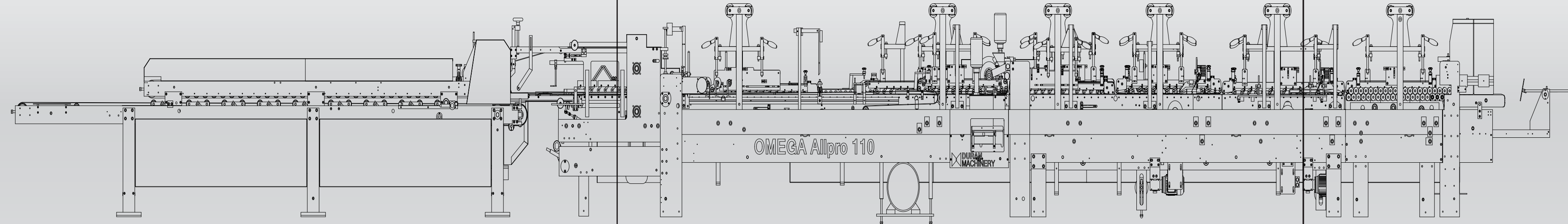
4 Auto Bottom and 4&6 Corners

a- Standard Auto Bottom Unit

- 3 lower and 3 upper carriers
- 3 sets (12 pieces) of shoes in different sizes
- 6 pieces of folding hook assemblies
- Various sized hooks
- Located on PF 1 and PF 2 sections

1 Feeder

- 3 KW feed AC motor for independent blank spacing
- Motor vibrating feed pile support for separating blanks and eliminating skips and doubles
- 2 different sized pile supports
- Dual diamond tipped feed gates adjustable in four directions, providing precise control on all blanks
- Hopper sides independently adjustable in four directions
- Individual belt tightening
- Individual modular feed carriers
- Easily adjusted extendable rack style blank support at feed for longer cartons on Allpro 110, 130, 145 and 165
- Optional vacuum system on 3 center belts



8 General Features

- Easy belt changing (shafts are not pulled for changing belts)
- Upper carriers raised and lowered by easy system for easy adjustment to carton thickness
- Standard size bearings
- Solid steel frames
- 20 x 20 mm support bars
- Siemens touch screen main control panel
- Belt speed:
 - Omega Allpro 55 – 70 – 90 -110 : 400 m / min
 - Omega Allpro 130 – 145 – 165 : 300 m / min
- 4 AC motors and Siemens drives + 2 servo motors for optional back folding
- Optional servo feeder and servo stacker
- Optional motorized or motorized with memory versions
- Position indicators for non memorized versions
- Remote control
- Remote diagnostic connection via internet
- CE Certificate

6 Delivery Section

The special design of the delivery section offers more control over finished cartons with long delivery carriers and rugged construction, providing a greater range of carton placement on the stacker apron and the ability to "kick" cartons from either side. Dual lead-in carriers provide optimum stacking control for irregular shaped cartons. The adjustable nose rolls maximize pile depth in the compression section whether understacking or overstacking.

- Dual adjustable 2 lower and 2 upper extended delivery carriers with easy adjustment for all kinds of carton styles and sizes
- Breaker rolls on 110 - 130 – 145 - 165
- Belts can be adjusted while the carriers are running
- Kicker / counter
- 4 KW AC delivery motor for independent blank spacing
- Electronic regulation system to provide continuous carton flow to the stacker entry

2 Optional Side Register Section

The modular Omega Side Register System squares cartons prior to entering the prefold section, giving additional control over blanks. Two sets of upper and lower auxiliary carriers transport blanks through the section when the side register is not being utilized.

- The Side Register is located on the left side of the machine, can be easily converted to left or right side registration
- Optional side register bay on the right side of the machine for bigger sized, right glue flapped boxes.
- Easily adjusted to various material thickness
- 82 pieces of angled rollers
- 2 sets of extra carriers (put in use for lock bottom and tapered boxes when rollers are not used.)
- Spare rollers for different widths of glue flaps
- Available in two sizes; 1.000 mm and 1.650 mm

b- Optional Servo Back Folding System for 4&6 Corner Boxes

The Omega Servo Back Fold System provides consistent and uninterrupted 4 & 6 corner back fold function. The system is available on all Omega Allpro folder gluers except Omega Allpro 55. On Omega Allpro 70 and 90, the servo back folding system operates with three fingers producing 4 corner boxes while the system on Omega Allpro 110, 130, 145 and 165 operates with single finger producing 4 & 6 corner boxes. The Omega Servo Back Fold System with single finger allows folding of all types of boxes within the machine range automatically by making all the adjustments for the operator, after the operator simply inputs the flap length. The touch screen input pad enables the operator to make changes to all parameters allowing for different board grains, thickness and types.

Each job is saved in electronic value memory for future orders.

- 2 sets (6 pieces) of different sized, wooden (rock maple), folding shoes
- Polyamide guides on the final fold section for 4 corner with lid and 6 corners
- Located on PF1 and PF2 Section

3 Pre-Fold Sections (PF1+PF2)

- Pre-break of the first creasing line up to 180°
- Pre-break of the third creasing line up to 135°
- Left and right hand glue flap breakers
- High speed third score opener